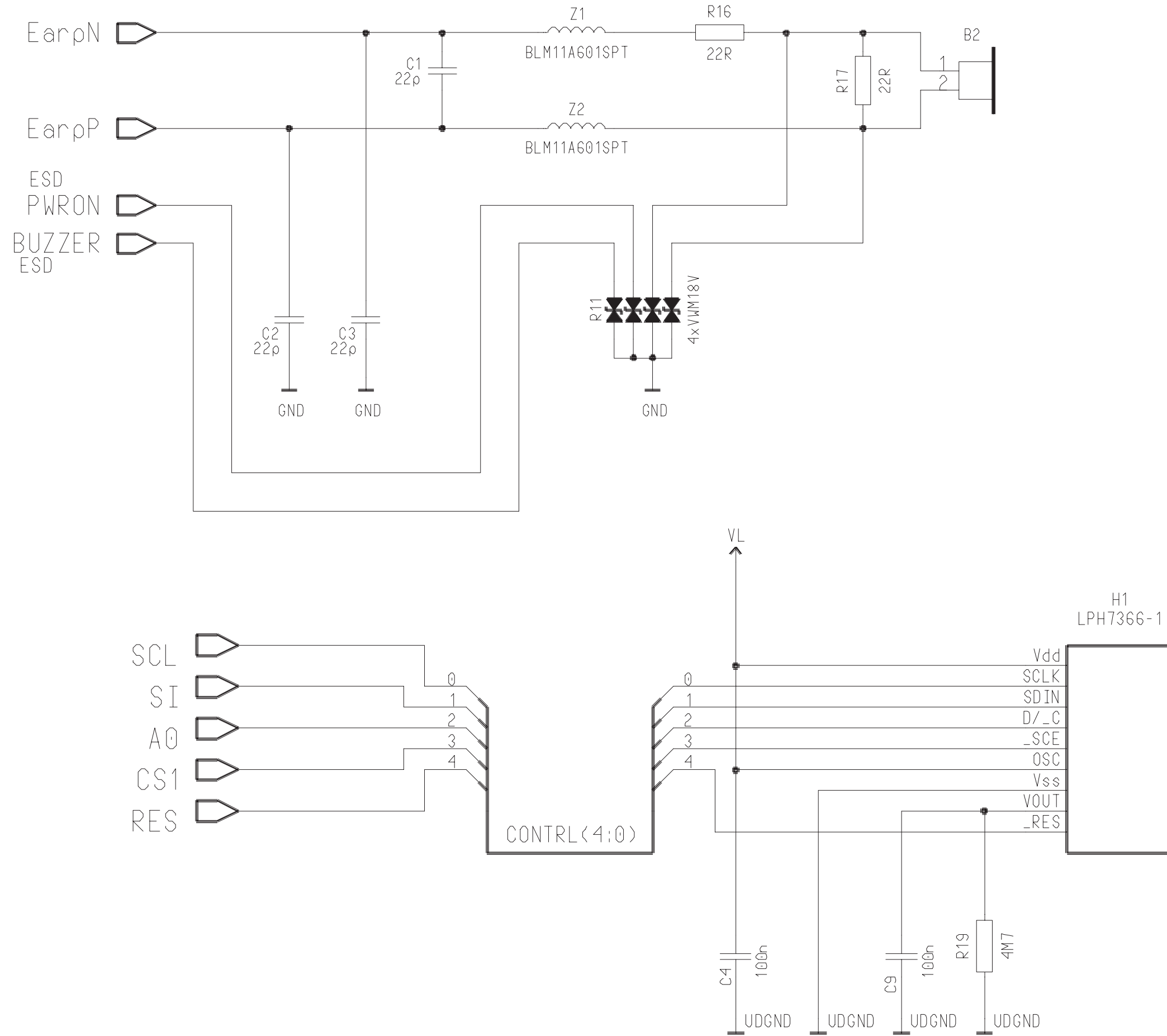
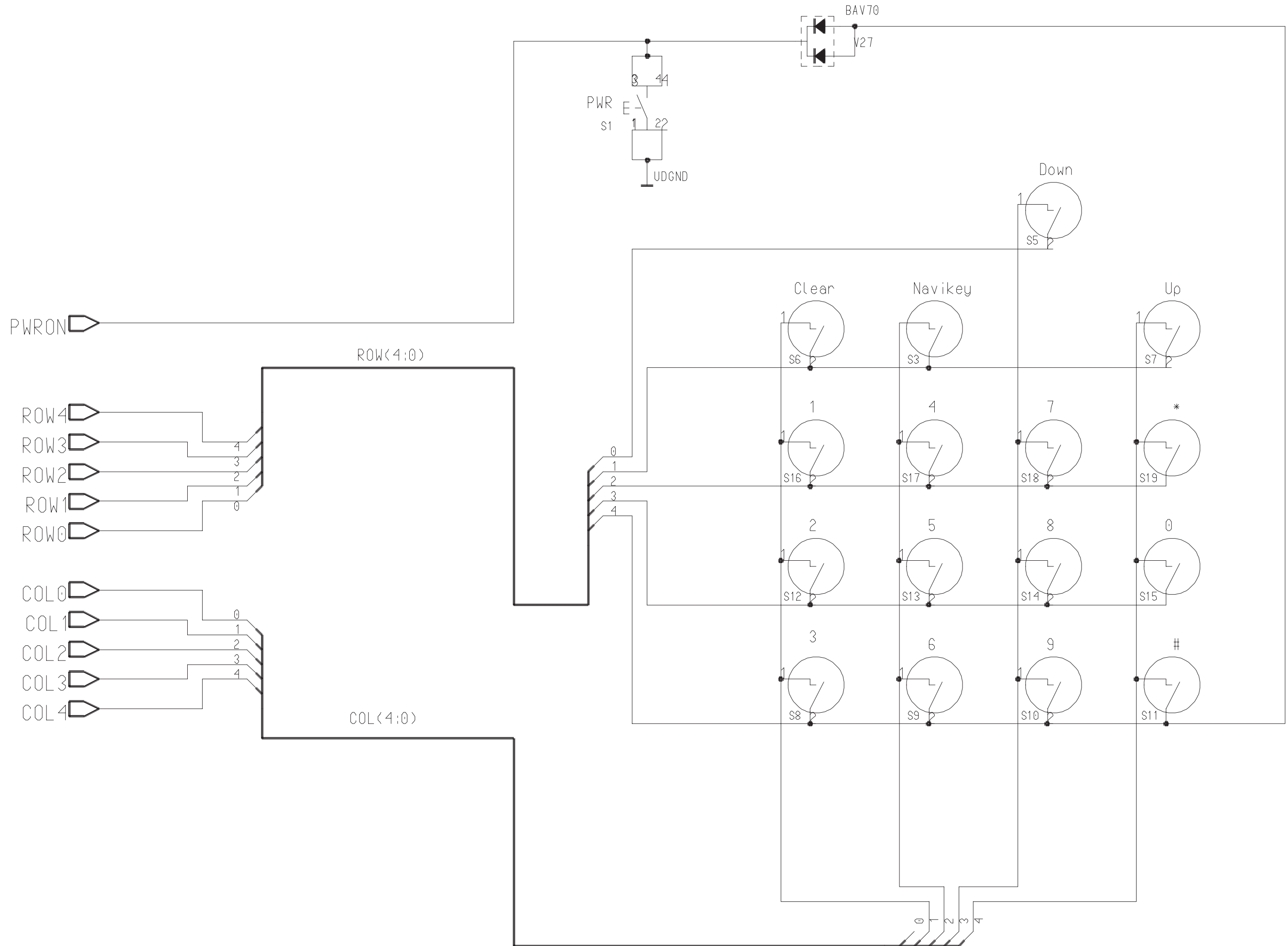
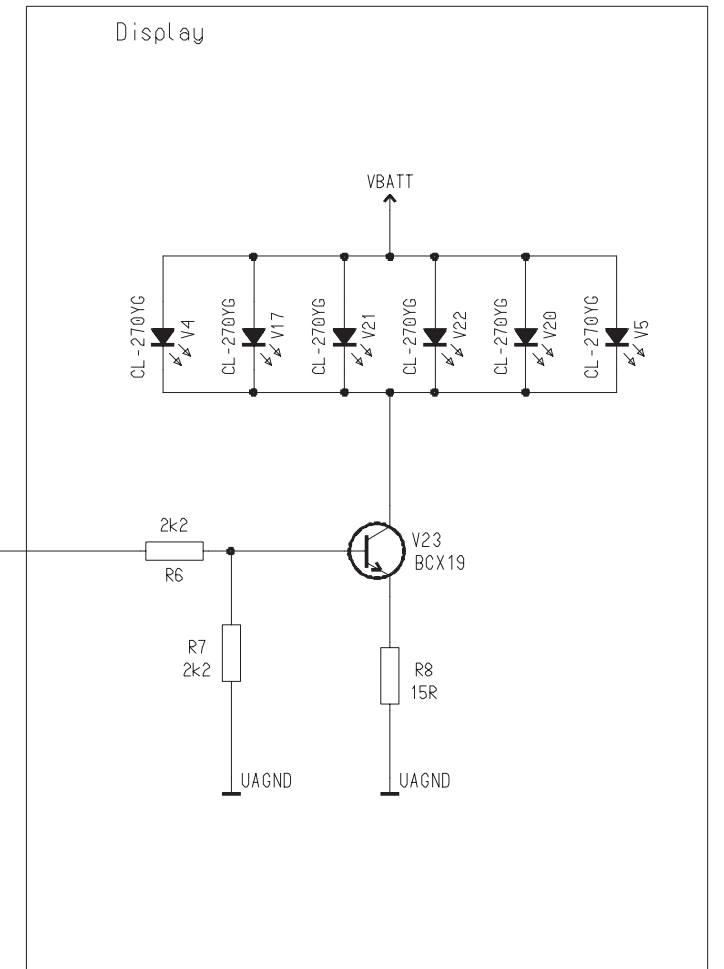
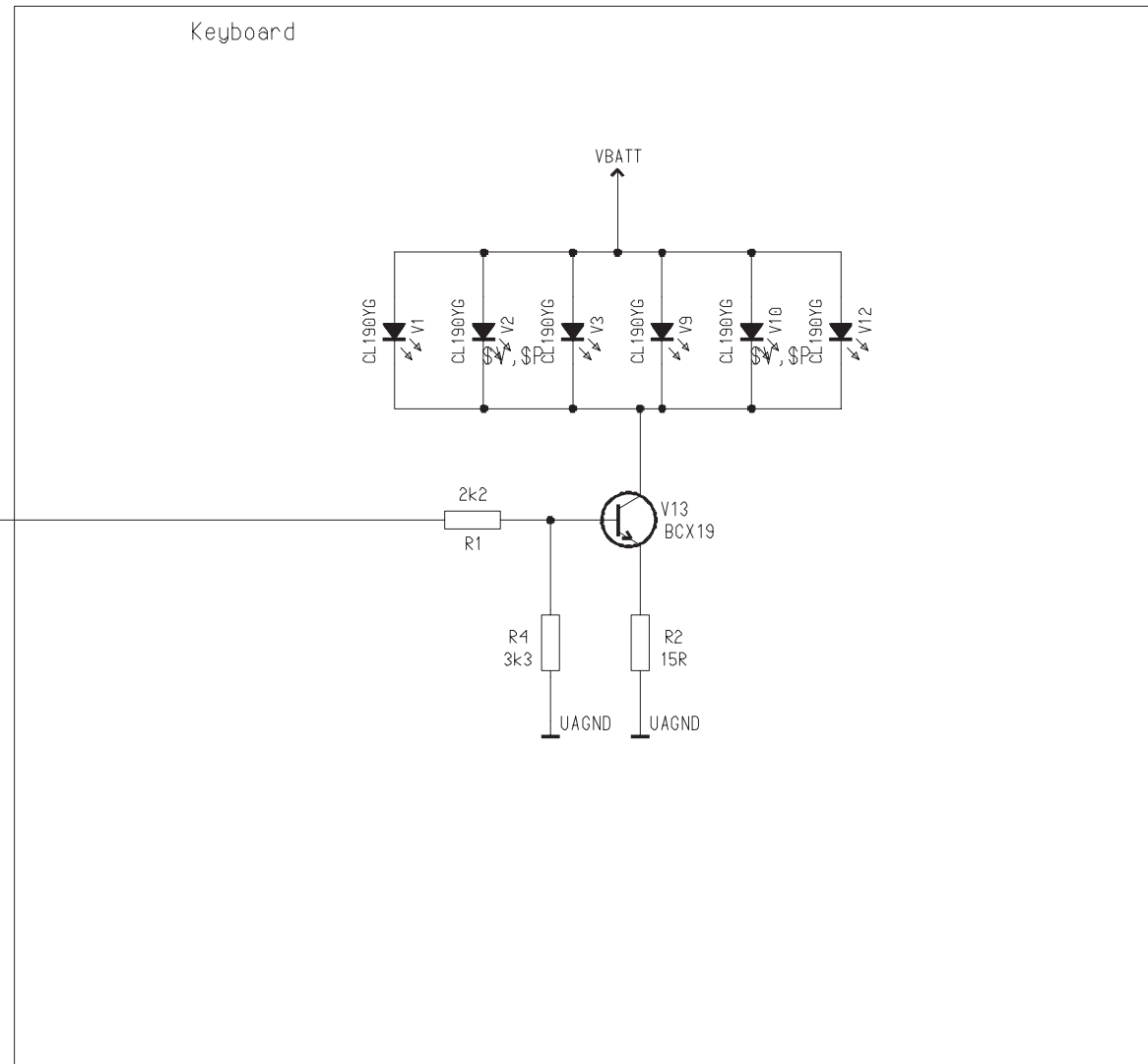


Circuit Diagram of Speaker (3.0 edit 29) and LCD (v.3.0 edit 29) Modules for layout version 04





BLIGHT



Layout Diagram of UE4S v.04

